

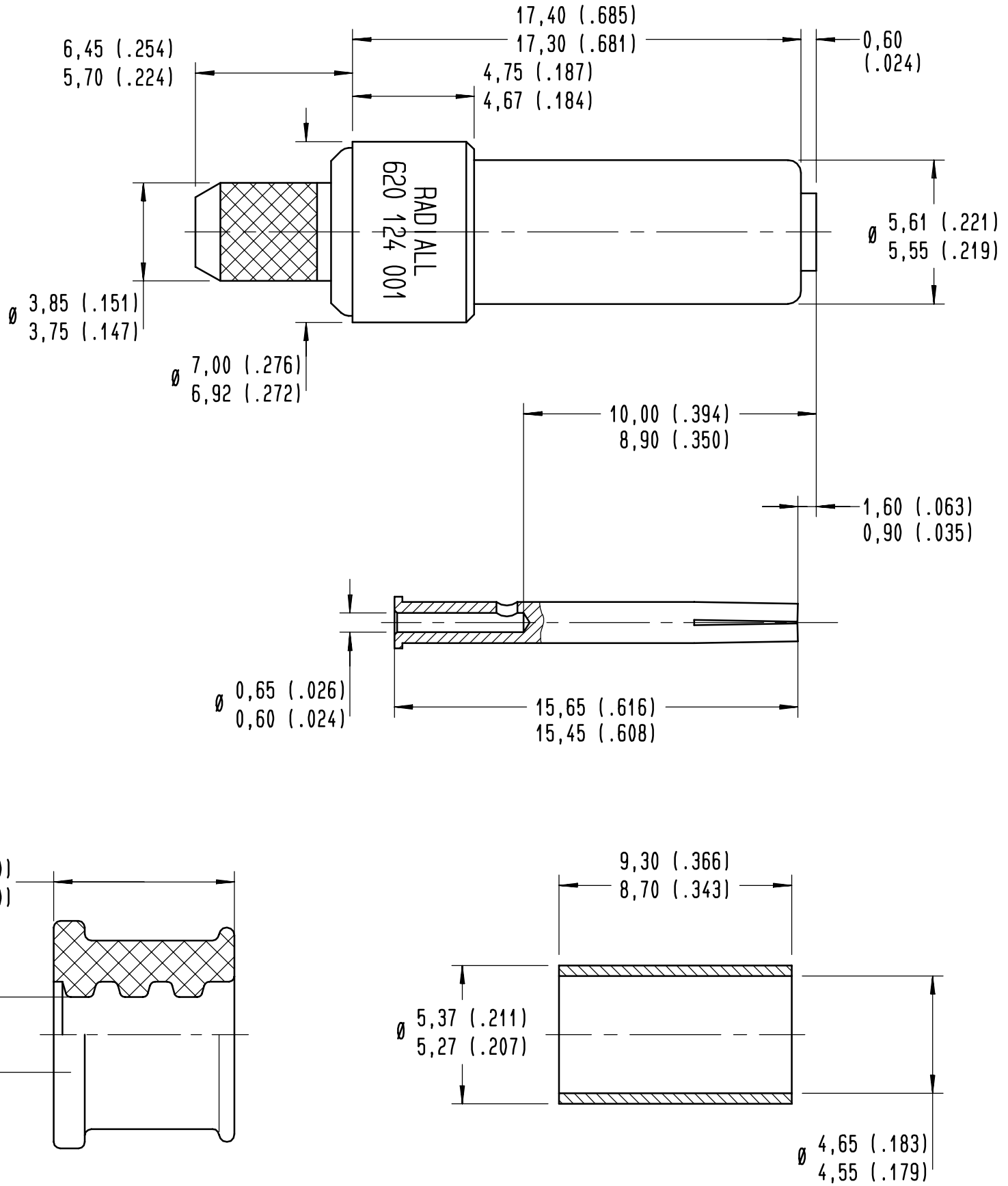


Series
NSX

SIZE 5 COAXIAL PIN CONTACT ENVIRONMENTAL
FOR RG180 AND RG195 CABLES

Issue:
23 OCT 98

Page
1 / 2



This information is given as an indication. In the continual goal to improve our products, we reserve the right to make any modifications judged necessary.

4112-9610

CREATION				
PEN: M980009365A				
NOM: VALGRESY				
DATE: 23 OCT 98				
APPR.: .				
Issue	Revisions	Name	Approved	



MATERIAL:

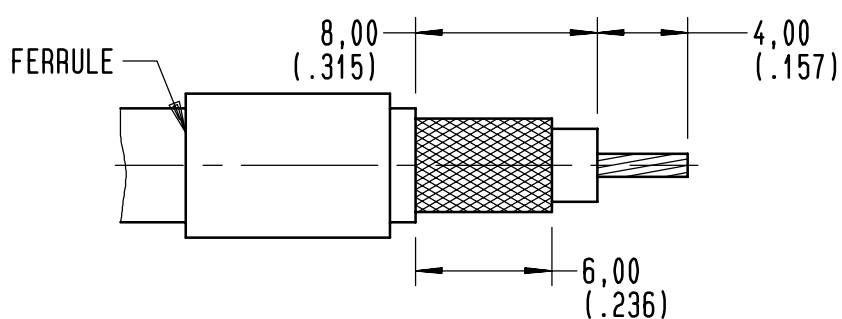
OUTER CONTACT: ANNEAL BRASS
 CENTER CONTACT: BERYLLIUM COPPER PER ASTM-B-196
 INSULATOR: PTFE
 FERRULE: ANNEAL BRASS
 SEALING BOOT: FLUOROSILICONE ELASTOMER PER MIL-R-25988 OR PER ZZ-R-765

FINISH (ALL METAL PARTS)

PLATING 50 MICROINCHES OF GOLD PER MIL-G-45204 TYPE I OR II GRADE C OR D
 CLASS 1 OVER NICKEL PER QQ-N-290

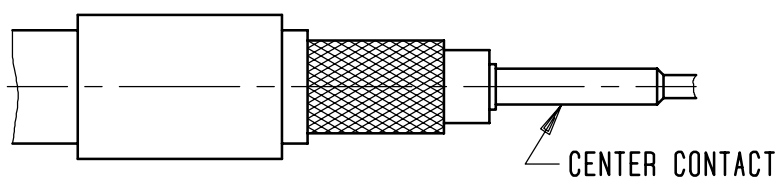
DESIGN REQUIREMENTS

TEMPERATURE RANGE: -65° C TO +165° C
 IMPEDANCE: 50 OHMS NOMINAL
 RATED VOLTAGE: 325 V RMS AT SEA LEVEL
 VSWR: 1.10:1 FREQUENCY RANGE : 0 - 300 MHZ
 VSWR: 1.30:1 FREQUENCY RANGE : 300 - 500 MHZ
 FREQUENCY RANGE: 0 - 500 MHZ
 DIELECTRIC WITHSTANDING VOLTAGE: 750 VRMS AT SEA LEVEL

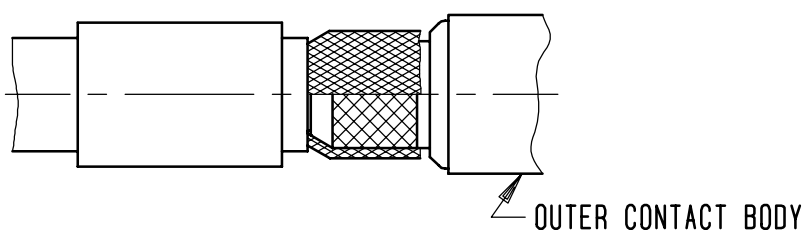


SLIDE THE SEALING BOOT OVER THE CABLE

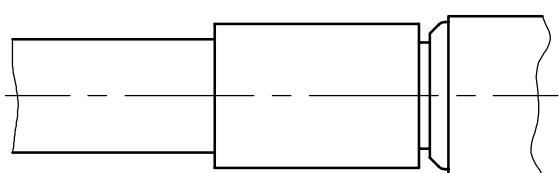
STRIP CABLE TO DIMENSIONS SHOWN ABOVE
 SLIDE FERRULE OVER THE CABLE



SLIDE CENTER CONTACT BARREL OVER CABLE CONDUCTOR
 CONTACT SHOULDER BUTTING AGAINST CABLE DIELECTRIC
 CRIMP CENTER CONTACT
 CRIMPING TOOL M22520/2-01 RADIAL 282281
 SELECTOR ON 6
 POSITIONER: K345 RADIAL 282550



FLARE BRAID, INSERT CENTER CONTACT INTO THE OUTER CONTACT BODY
 PLACE BRAID OVER KNURLED PART OF OUTER CONTACT BODY



SLIDE FERRULE OVER BRAID UNTIL IT BUTTS AGAINST SHOULDER OF OUTER CONTACT BODY
 CRIMP FERRULE
 CRIMPING TOOL: M22520/5-01 RADIAL 282293
 DIE: M22520/5-05 RADIAL 282246 HEX. B 4,5 (.177) /FLATS

EXTRACTION TOOL: M81969/28-01 RADIAL 282946

This information is given as an indication. In the continual goal to improve our products, we reserve the right to make any modifications judged necessary.

4113-9306